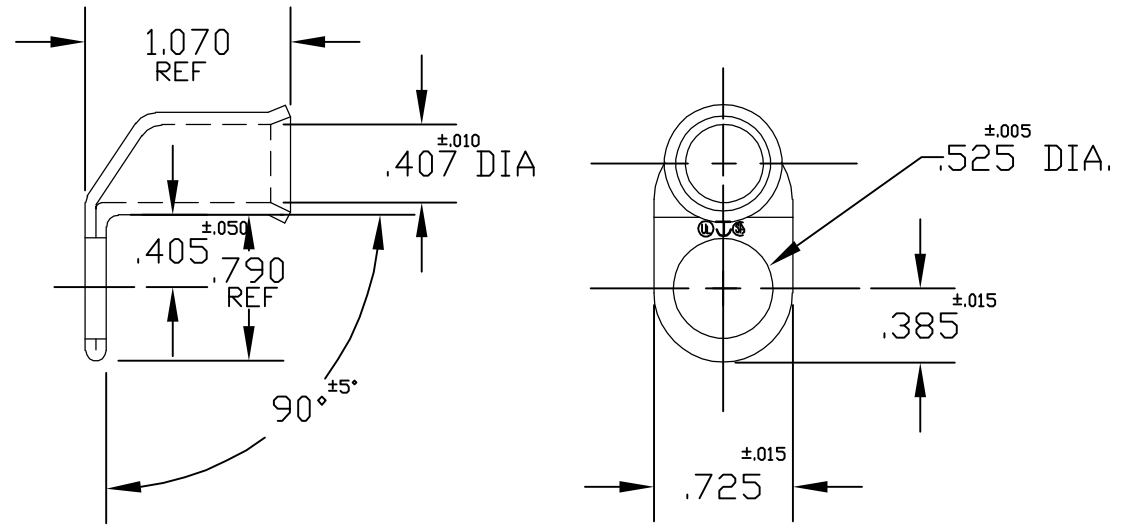


THIS DRAWING IS UNPUBLISHED. RELEASED FOR PUBLICATION
 © COPYRIGHT - BY TYCO ELECTRONICS CORPORATION. ALL RIGHTS RESERVED.

LOC	DIST	REVISIONS					
		P	LTR	DESCRIPTION	DATE	DWN	APVD
G	50		01	REVISED PER ECR-06-010858	09MAY06	HMR	JR



ACTIVE	10501-09-90	STANDARD	TIN PLATE	1526716-2
ACTIVE	10501-08-90	STANDARD	PLAIN	1526716-1
STATUS	AET P/N	PACKAGING	FINISH	PART NUMBER

THIS DRAWING IS A CONTROLLED DOCUMENT.		DWN D.A.A 9/21/00	Tyco Electronics Corporation Harrisburg, PA 17105-3608	
DIMENSIONS: INCHES		CHK H.D.F 9/21/00		
		APVD H.D.F 9/21/00	NAME 1/0 STANDARD TERMINAL WITH 90° BEND	
TOLERANCES UNLESS OTHERWISE SPECIFIED:		PRODUCT SPEC	SIZE	
0 PLC ± -	1 PLC ± -	APPLICATION SPEC	CAGE CODE	DRAWING NO
2 PLC ± -	3 PLC ± -	WEIGHT	00779	C-1526716
4 PLC ± -	ANGLES ± -	CUSTOMER DRAWING	RESTRICTED TO	
MATERIAL COPPER ASTM B-152	FINISH -	SCALE	SHEET	REV
		1:1	1 OF 1	01